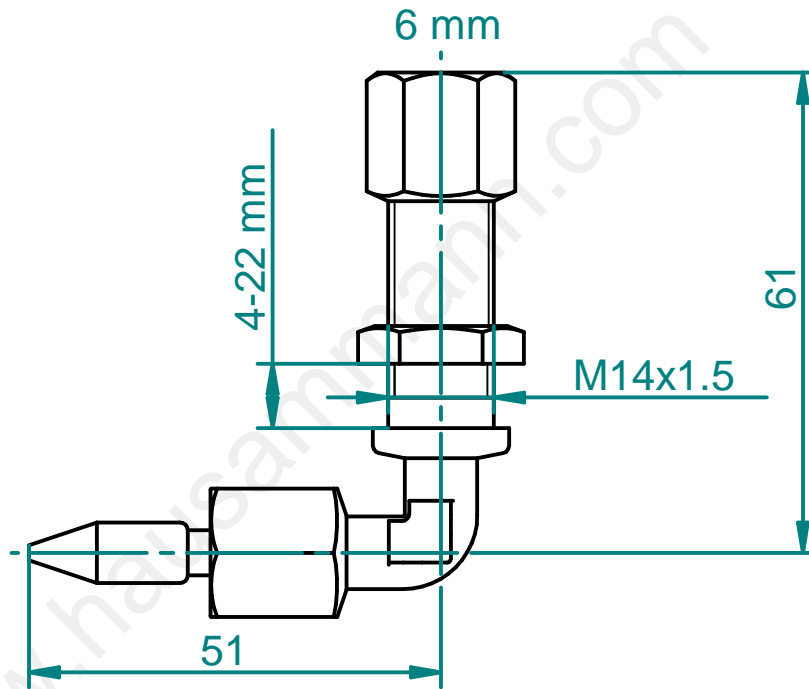


General tolerances ISO 2768-m						Index	Date	Visum	Modification	Index	Date	Visum	Modification
Basic-size	...6	> 6 ...30	> 30 ...120	>120 ...400	> 400 ...1000								
medium	±0.1	±0.2	±0.3	±0.5	±0.8								



Specifications points D,K,H	
D= doc.points	
K= critical	
H= main	

		Material:				
Accord-draw.no.:	Origin-draw.no.:	Replacement for:	Scale			
			plotted	Date	Visum	Phone
			checked	18.04.12	E.Z	
			78.120	<b>Solid Edge</b>	Format A4	
				Index 00		